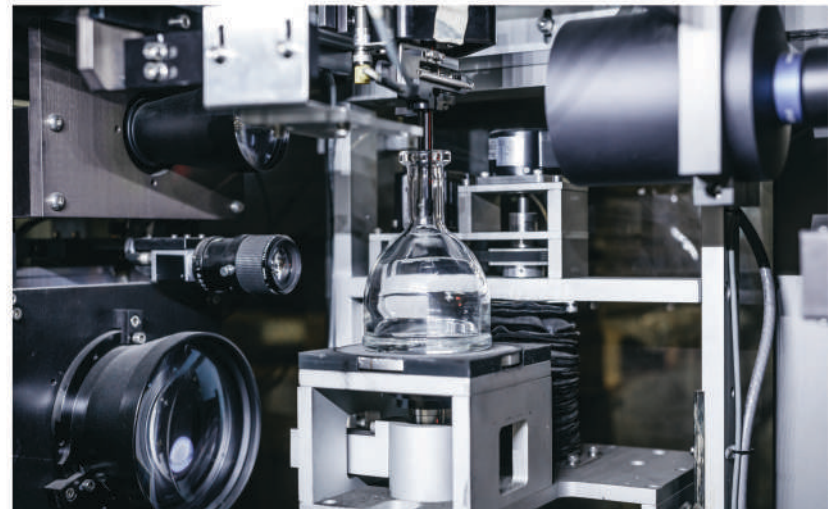


The Brilliance and Perfection of glass



HRASTNIK1860



About Us

For 160 years Steklarna Hrastnik has been a renowned global partner in developing and manufacturing world-class engineered glass products, distinguished by some as of the clearest glass in the world.

The wide range of products includes premium bottles for spirit industry, bottles for cosmetic industry and tableware products. Steklarna Hrastnik glass products are a perfect combination of style and quality and ranges from traditional designs to innovative, award-winning designer solutions, including Puzzle bowl, the Red Dot Design award 2016 winner. All items can be customized through comprehensive decoration techniques which result in stunning visual results. The volumes produced are tailored to customers' needs.

Products are made out of top-quality glass, distinguished by perfect crystal shine and being completely free of heavy metals.

Steklarna Hrastnik focuses on flexible and excellent service, short time to the market and tailor-made solutions. The company offers the full range of services (one stop shop), from idea to development, design to delivery.





Packaging sales programme

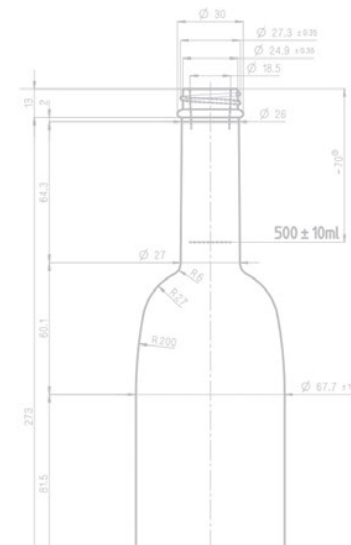
The range of products consists of premium bottles, decanters, jars and stoppers for spirits, fine wines, olive oils, water other food/gourmet applications, but also home perfumes, other perfumery as well as cosmetics and body care products.



Decoration

We can make your product unique and customized through comprehensive decoration techniques.

Beside frosting, screen printing, pad printing, lacquering, hot stamping, transfers, sleeving, or gluing, we also provide a range of innovative decoration techniques including metallization and laser cutting.



Technology

State of the art technology and know-how rank Steklarna Hrastnik amongst the best glass companies in the world. Our technology is highly advanced in glass melting process, production procedure itself and product quality control.

We can produce glass in different processes: blown\blown, pressed\blown, single gob, double gob.

We are specialized in small and large single production runs.

Bottles

PACKAGING SALES PROGRAMME

Classical cylindrical bottles (Bordolese)

The basic shape in IS glass technology is the ball. Therefore the basic technology is based on circle cut of the product (cylinder). From here arises the basic and mostly spread shape of bottles from small miniature bottles to big vodka or whisky bottles.



Revolved bottles

The ever more demanding global market seeks different products, to fit their application best. One of the simplest ways to modify the Bordolese is to make it sharper or rounder with a revolved shape. These are amazing to decorate and create a very effective marketing tool as well as a beautiful bottle.



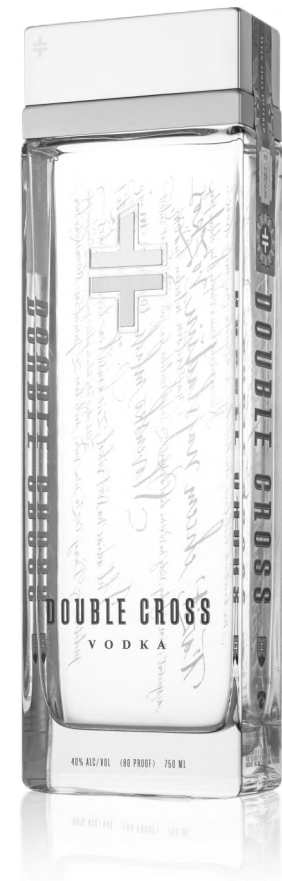


Asymmetrical shapes

These are the most difficult shapes to engineer and produce. The skill of our technical staff is unparalleled and ready for new challenges, making these glass packaging true works of art.

Embossing & debossing

One of the most popular applications for a bottle is a debossed or embossed logo or silhouette. Adding decoration on a debossed or embossed surface is a very difficult procedure, but adds an amazing overall appeal and distinctive look.



Bottles

PACKAGING SALES PROGRAMME

Square & flat

Sometimes the simplest of shape can present its difficulties. As we all know heaven is in the details, so this shape has to be amazingly executed. This is one of our specialities - amazing execution, delivering the best product to our partners.



Punts

From classical wine bottles, sparkling wine to ambience perfume miniatures, the punt can be a beautiful yet functional feature on a bottle, maybe even used for stacking?



Jars & stoppers

We also produce hollow stoppers for high-end spirit applications in all shapes and sizes. Food, cosmetics and ambience perfume bottles are also part of our production portfolio.



References



THE SKULL



MAISON SYBARITE



FLAVIO NERI

References



FLAVIO NERI



ECHO



THE FRAGRANCE FOUNDATION
AWARD

References



MARTELL XO



METAXA ANGELS TREASURE



BACHE GABRIELSEN XO
THOMAS PRESTIGE COGNAC



LIQUEUR MONOGRAM

References



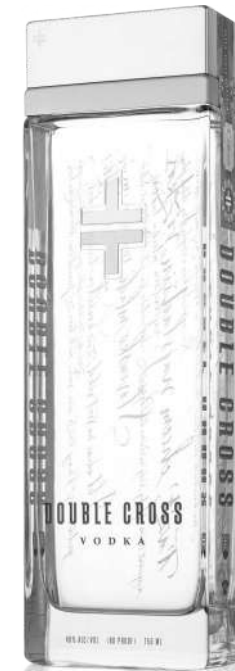
WHISPERING ANGEL



LONDON DRY GIN

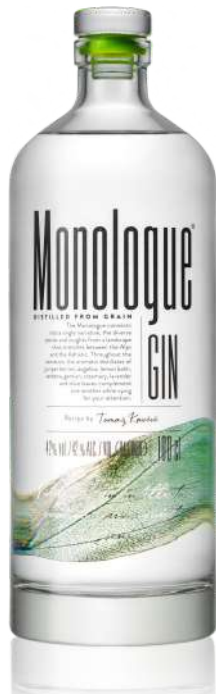


GIN



DOUBLE CROSS
VODKA

References



MONOLOGUE GIN



LUIGI FRANCOLI
GRAPPA



VODKA CHOPIN



NONG FU
EAU PLATE OU GAZEUSE

References



LDG



PINK 47



DAVID GIN



SHAKE'S INK
GIN





HRASTNIK1860 PERFUMERY

A new collection dedicated for Perfumes and Cosmetics

Hrastnik1860 perfumes is the latest, unique collection of attractive flacons for luxury perfumery and cosmetic market. The design guideline is pure and products are results of brilliance and perfection of our glass. All items can be customized through comprehensive decoration techniques which results in stunning visual results.



Sultane

Inspired by nature

The SULTANE name symbolizes precious beauty rituals. The shape of SULTANE bottle is inspired by nature, its extremely pure design mirrors a water droplet. It's all the matter of finding the right balance!

MAIN FEATURES

| | |
|-----------------------|-------------------|
| Sizes: | 100 ml |
| Colour: | Extra white flint |
| Glass base thickness: | Around 15 mm |



Kenai

Nothing is as it seems

A bottle of soft, flowing lines that rise from a compact base. It resembles a magnificent ice surface and depicts the richness of the natural environment. A clean round line elevates the content of the bottle to a higher level. Soft on the outside, full of life on the inside - like the KENAI river.

MAIN FEATURES

| | |
|-----------------------|----------------------|
| Sizes: | 100 ml, 50 ml, 30 ml |
| Colour: | Extra white flint |
| Glass base thickness: | Around 14 mm |



Tokyo

Influenced by Japanese design

A subtle mix of traditional Japanese design and more modern trends, here is the visual appeal of TOKYO bottle. With its refined elegance, the concave shape of its body. TOKYO is both singular and universal beauty.

MAIN FEATURES

| | |
|-----------------------|----------------------|
| Sizes: | 100 ml, 50 ml, 30 ml |
| Colour: | Extra white flint |
| Glass base thickness: | Around 14 mm |



Duoro

Daring. Solid. Mysterious.

The DUORO bottle has found inspiration in the river, the flow of which also draws a border. A bottle with a male character but still mysterious like a woman. It has a distinctly flat shape and a rectangular base of clean lines.

MAIN FEATURES

| | |
|-----------------------|-------------------|
| Sizes: | 100 ml |
| Colour: | Extra white flint |
| Glass base thickness: | Around 11 mm |



Callista

Tribute to curves

The name CALLISTA comes from Greek origin, and means „the most beautiful“. The thick base in the shape of „suspended bridge“ enhances the attractive effect of its repeated curves. A model completely in keeping with the times.

MAIN FEATURES

| | |
|-----------------------|-------------------|
| Sizes: | 100 ml |
| Colour: | Extra white flint |
| Glass base thickness: | Around 15 mm |



Lena

Sophisticated. Valuable. Original.

Full of contradictions, like the LENA river. Playfully trickling in the upper reaches, smooth and calm in the lower. The cool lower part of the bottle seems like the calmness caught in an icy landscape, while the upper part represents lively Russian tradition.

MAIN FEATURES

| | |
|-----------------------|-------------------|
| Sizes: | 100 ml |
| Colour: | Extra white flint |
| Glass base thickness: | Around 11 mm |



Paris

Always a good choice

They say an artist has no home except in Paris. The beauty of the Paris bottle is shown in its elegant lines that represent calmness and home. Contrary to its composure the bottle design gives you charming possibilities that will blow your mind just like a night in Paris.

MAIN FEATURES

| | |
|-----------------------|-------------------|
| Sizes: | 100 ml |
| Colour: | Extra white flint |
| Glass base thickness: | Around 11 mm |





Andy

The charm of ambivalence

ANDY cultivates with talent contrasts its structured rectangular section and flat main sides are softened by a facing with rounded contours and generous glass base in the shape of teardrop.
Versatile, innovative and attractive!

MAIN FEATURES

| | |
|-----------------------|----------------------|
| Sizes: | 100 ml, 50 ml, 30 ml |
| Colour: | Extra white flint |
| Glass base thickness: | Around 13 mm |



Tara

As mysterious as the deepest canyon

As playful as hidden gorges and as mighty as the bridges over the TARA river.
A natural pearl hiding purity, passion and a little bit of playful naughtiness.
With a gentle round base, it promises accessibility and invites us to hold it in our hand.

MAIN FEATURES

| | |
|-----------------------|-------------------|
| Sizes: | 100 ml |
| Colour: | Extra white flint |
| Glass base thickness: | Around 11 mm |



Torne

Safety. Firmness. Stability.

The tradition of Swedish design is reflected in the cool, clean shape of this elliptical bottle, which exudes courage and stability. A bottle of a solid material and soft contents captivates everyone.

The TORNE bottle is still waiting to be discovered, and for your personal touch.

MAIN FEATURES

| | |
|-----------------------|-------------------|
| Sizes: | 100 ml |
| Colour: | Extra white flint |
| Glass base thickness: | Around 11 mm |



Fuji

Without equal

Its rounded and harmonious lines like a polished stone make it comfortable to handle. FUJI admirably reflects a feminine spirit and a certain taste for luxury but without pretence or affection.

MAIN FEATURES

| | |
|-----------------------|-------------------|
| Sizes: | 100 ml |
| Colour: | Extra white flint |
| Glass base thickness: | Around 13 mm |





BRAND
NEW

Sens

Sens. Makes sense.

Draped in the natural elegance of her well-known collection family, Sens bottle might be just perfect for your next fresh powdery floral or masculine woody fougère fragrance. Or any addictive fragrance that awakens the #senses. No prejudices and no limits. It's an iconic bottle. Inspired by the vintage any yet timeless form in contemporary signature shape.

MAIN FEATURES

| | |
|-----------------------|-------------------|
| Sizes: | 100 ml |
| Colour: | Extra white flint |
| Glass base thickness: | Around 12 mm |







HRASTNIK1860 SPIRIT

Hrastnik1860 Spirit is company's own collection of high-end bottles for premium spirits and liquors. Collection is the result of extraordinary bottle design, the state-of-the-art technology and perfection of our glass. Steklarna Hrastnik can make every product even more unique and customized through comprehensive decoration techniques. Beside frosting, screen printing, pad printing, lacquering, hot stamping, transfers, sleeving, or gluing, we also provide a range of innovative decoration techniques including metallization and laser cutting.

Jupiter Polaris

Shine bright



The geometrical surfaces of the Jupiter Polaris reflect and create an extraordinary optical experience like the northern sky on a frozen night. It exudes quality and premiumness but retains genuine craft cues. The shape and rich structure of the Jupiter Polaris ensure a unique user experience whether it is whiskey, gin, vodka, cognac or tequilla.

MAIN FEATURES

| | |
|-----------------------|-------------------|
| Sizes: | 700 ml |
| Colour: | Extra white flint |
| Quality standard: | Super premium |
| Glass base thickness: | Around 17 mm |



Orion

When the stars align



Named after the Greek God of hunting, Orion exudes quiet strength & masculine robustness. The square, angular form is honest in its proportions, with equal sides & distinctive square punt pushing upwards from the heavy base. Orion is modern, clean & brutally simple in form, ideally suited to a bourbon, whiskey, tequila or even a navy strength gin.

MAIN FEATURES

Sizes: 700 ml
Colour: Extra white flint
Quality standard: Super premium
Glass base thickness: Around 14 mm



Apollo

Universal Shape. Boundless allure.



Apollo has the most natural, universal and timeless design and yet it will always stand out and triumph. It's mission and prophecy is to conquer. Apollo gives simple packaging solutions for your complex spirits and guarantees limitless possibilities of personalization-as infinite as the space itself. Simple and the best. Apollo adapts to all drinks and that is why it is a must have bottle in every collection.



MAIN FEATURES

| | |
|------------------------|-------------------|
| Sizes: | 700 ml, 750 ml |
| Colour: | Extra white flint |
| Quality standard: | Super premium |
| Glass base thickness : | Around 11,7 mm |

Luna

Purity of form



Inspired by the Moon & the pure forms of Scandinavian design. Its round shoulders create a fully circular motion & its straight neck cuts through. Pure, clean & minimal. Luna conveys simplicity, intensive forms & naturalness that would compliment most distillations, & non-alcoholic drinks.

MAIN FEATURES

Sizes: 700 ml
Colour: Extra white flint
Quality standard: Super premium
Glass base thickness: Around 13 mm



HRASTNIK1860

Callisto

For strong characters

The skilfull balance of its design gives to CALLISTO decanter a modern image and a strong caracter. The thick base in the shape of "suspended bridge" sublimates the purity and distinctiveness of the model. Its original and modern style is perfectly in line with the creative trends for super-premium Spirits.

MAIN FEATURES

| | |
|-----------------------|------------------------|
| Sizes: | 500 ml, 700 ml, 750 ml |
| Colour: | Extra white flint |
| Quality standard: | Super premium |
| Glass base thickness: | Around 15 mm |



Egg

Symbol of life

The EGG decanter symbolizes birth and life. Its shape is sincere, clear and evident. A perfect packaging, aesthetical and functional! How we can do something more optimized and yet so inspiring? The EGG decanter presents pure and soft lines nested on an extraordinarily thick bottom. It's an irresistible invitation to hold it and appreciate the clarity of glass.

MAIN FEATURES

| | |
|-----------------------|-------------------|
| Sizes: | 700 ml, 750 ml |
| Colour: | Extra white flint |
| Quality standard: | Super premium |
| Glass base thickness: | Around 30 mm |



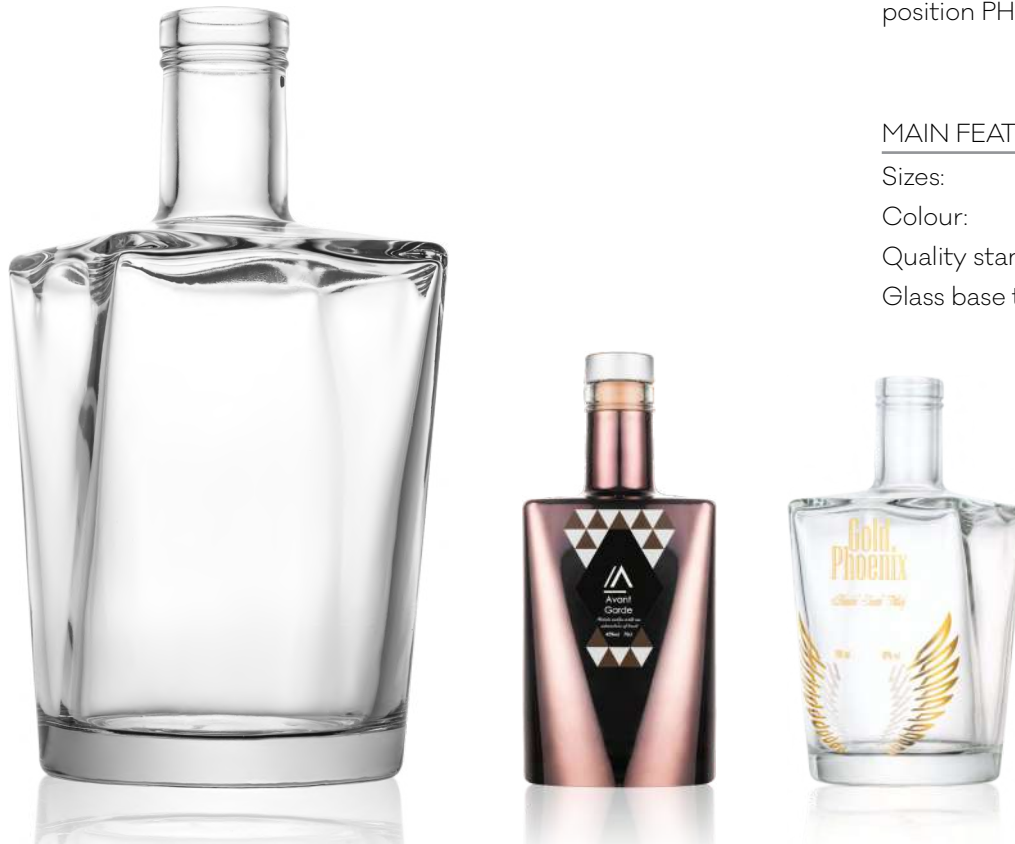
Phoenix

Style is never out of fashion

The PHOENIX design plays on contrast and symbolizes ambivalence: neither totally round nor totally square, neither totally bottle nor totally a decanter, both sophisticated and powerful. This singular shape and character contributes to position PHOENIX as a contemporary and refined style packaging.

MAIN FEATURES

| | |
|-----------------------|-------------------|
| Sizes: | 700 ml |
| Colour: | Extra white flint |
| Quality standard: | Super premium |
| Glass base thickness: | Around 13 mm |



Diabolo

Fun and generous

Fun by nature, DIABOLO is an innovative bottle at the service of fashionable spirits. The compact and generous shape, the slightly curved body, and the simplicity of its rounded harmonious lines contribute to the softness and the originality of the model.

MAIN FEATURES

| | |
|-----------------------|-------------------------------|
| Sizes: | 50 ml, 500 ml, 700 ml, 750 ml |
| Colour: | Extra white flint |
| Quality standard: | Super premium |
| Glass base thickness: | Around 18 mm |





Mila

When standard comes as exclusivity

The MILA model is the Slovenian version of the Futura style bottle, wellknown for its tall silhouette. This generic model benefits here from the purity and the brilliance of the extra white flint glass of STEKLARNA HRASTNIK, and its great mastery of forming.

MILA is proposed in several versions of size, finish, packing and quality level.

MAIN FEATURES

| | |
|-------------------|---|
| Sizes: | 200 ml, 350 ml, 500 ml, 700 ml, 750 ml, 1000 ml, 1750 ml |
| Colour: | Extra white flint |
| Quality standard: | Premium and Super premium |

Wallace

Conquering the market

From the very first glance, the WALLACE bottle - just like the name of the famous Scottish "Braveheart" expresses a highly distinctive personality.

The individuality of this model lies in the perfect harmony of its outlines: the attractive curved lines of the body combined with the soft shoulders. The result is in line with the best creative trends for Premium Spirits of all nature.

MAIN FEATURES

| | |
|-----------------------|-------------------|
| Sizes: | 700 ml, 750 ml |
| Colour: | Extra white flint |
| Quality standard: | Super premium |
| Glass base thickness: | Around 13 mm |





Jack

Craft inspiration

The design of JACK model draws its inspiration from the Bourbon / Whisky bottle style. It also makes reference to the "Craft phenomenon" in the Spirits world through a balance between its simple rectangular section shape and its slightly Vintage character.

MAIN FEATURES

| | |
|-----------------------|------------------------|
| Sizes: | 500 ml, 700 ml, 750 ml |
| Colour: | Extra white flint |
| Quality standard: | Super premium |
| Glass base thickness: | Around 12 mm |

Diamando

Let it shine!

Shine with DIAMANDO bottle and its square section, its tapered body and rounded panels. Let the white flint glass shine as a precious stone! Let the content of your product shine with the play of the angles and the thick base. DIAMANDO sublimates all the colours of the rainbow.

MAIN FEATURES

| | |
|-----------------------|-------------------|
| Sizes: | 700 ml, 750 ml |
| Colour: | Extra white flint |
| Quality standard: | Super premium |
| Glass base thickness: | Around 15 mm |





Saturn

Fire and Ice

SATURN is the most beautiful planet in our solar system. A special charm rises from its frozen ring. The trendy SATURN bottle perfectly in its natural element is in phase with the Spirits, such as white alcohols, which are drunk struck or frozen. This attractive bottle, very suitable for fiery content, symbolized the duality of the universe and the union of opposites.

MAIN FEATURES

| | |
|-----------------------|-------------------------------|
| Sizes: | 50 ml, 500 ml, 700 ml, 750 ml |
| Colour: | Extra white flint |
| Quality standard: | Super premium |
| Glass base thickness: | Around 13 mm |

Gordon

Majestic silhouette

GORDON evokes refinement and fluidity through a demanding arrangement of design features: square section, straight body, slightly rounded panels with elegant debossing prints in each angle.

The generous glass base enhances its impressive / alluring stature.

MAIN FEATURES

| | |
|-----------------------|-------------------|
| Sizes: | 350 ml, 500 ml |
| Colour: | Extra white flint |
| Quality standard: | Super premium |
| Glass base thickness: | Around 20 mm |





Sultane

Release your imagination

SULTANE symbolizes hedonism and lifestyle. On first look, it is a pure and distinguished bottle sublimated by different dressing codes. Decorate it, personalize it, make it yours through infinite ways of decorations. This model can wake up your imagination through its strong presence and a luxurious image without excessive glass weight through.

MAIN FEATURES

| | |
|-----------------------|---|
| Sizes: | 100 ml, 200 ml, 350 ml, 500 ml, 700 ml, 750 ml, 1000 ml, 1750ml |
| Colour: | Extra white flint |
| Quality standard: | Super premium |
| Glass base thickness: | Around 15 mm |



Jupiter

Straight from the distiller

JUPITER Inspired by the simplicity of the bottle that has come straight from the master distiller's sampling room. JUPITER has substance and honesty with its classic lines and heavy base. Its character emanating from the tapered body that narrows towards the top. JUPITER exudes quality and premiumness but retains genuine craft cues and the sense of „undisigned“.

MAIN FEATURES

| | |
|-----------------------|-------------------|
| Sizes: | 500 ml, 700 ml |
| Colour: | Extra white flint |
| Quality standard: | Super premium |
| Glass base thickness: | Around 15 mm |



Mars

The spirit of the hipster

Inspired by industrial and innovative victorian era, here is a bottle that has come straight out of the East End of London or Brooklyn in the early part of the last century. MARS evokes craft with it's referse concave neck detail and elegant tapered body. Ideally suited for small batches or limited releases of hard liquor.

MAIN FEATURES

| | |
|-----------------------|-------------------|
| Sizes: | 500 ml, 700 ml |
| Colour: | Extra white flint |
| Quality standard: | Super premium |
| Glass base thickness: | Around 13 mm |



Alaska

Distortion in Art

Inspired by distortion in art and architecture with a soft and simple formal language. While most bottles are volumes of revolution this concept is a freeform model defined by two ellipses placed at a right angle to each other. The front view with wide shoulders presents masculinity while the side view presents a soft more feminine side of the bottle.

MAIN FEATURES

Sizes: 750 ml
Colour: Extra white flint
Quality standard: Super premium
Glass base thickness: Around 15 mm





One stop shop

Certificates & Awards



A Biorade Solution





Steklarna Hrastnik d.o.o., Cesta 1. maja 14, 1430 Hrastnik, Slovenia +386 (0)3 565 46 00 info@hrastnik1860.com www.hrastnik1860.com

HRASTNIK1860

