



Andy

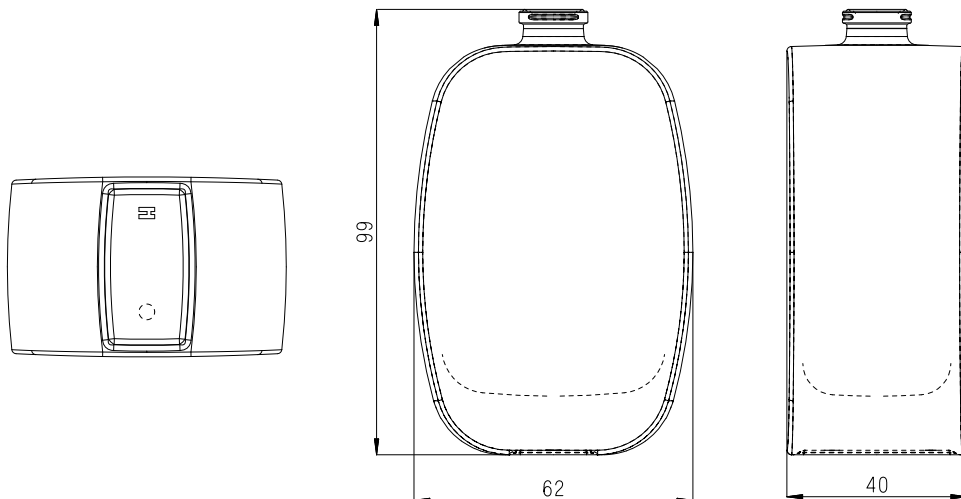
The charm of ambivalence

ANDY cultivates with talent contrasts its structured rectangular section and flat main sides are softened by a facing with rounded contours and generous glass base in the shape of teardrop. Versatile, innovative and attractive!



HRASTNIK1860

www.hrastnik1860.com



Andy

Technical data sheet

Capacity	100 ml
Weight of glass	235 gr
Finish	FEA 15
Brimful capacity	108 ml
Minimum through hole	9,5 mm
Total height	99 mm
Body diameter	62 x 40 mm

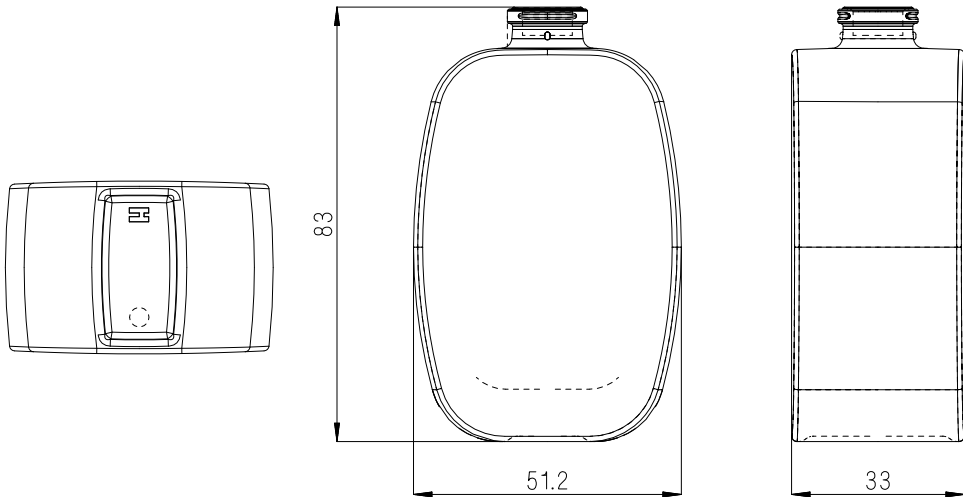
Main features

Colour: **Extra white flint** • Glass base thickness: **Around 13 mm** • **Registered design**

„The technical specifications on this document are not contractual. They are only provided for information.“

Packing (Carton boxes with dividers on pallet 80 x 120)

Number of bottles per carton box	36
Number of carton box per layer	8
Number of layer	9
Number of bottles per pallet	2592
Overall height of the pallet	1,10 m
Pallet weight	660 kg (stackable)



Technical data sheet

Capacity	50 ml
Weight of glass	140 gr
Finish	FEA 15
Brimful capacity	55 ml
Minimum through hole	9,5 mm
Total height	83 mm
Body diameter	51 x 33 mm

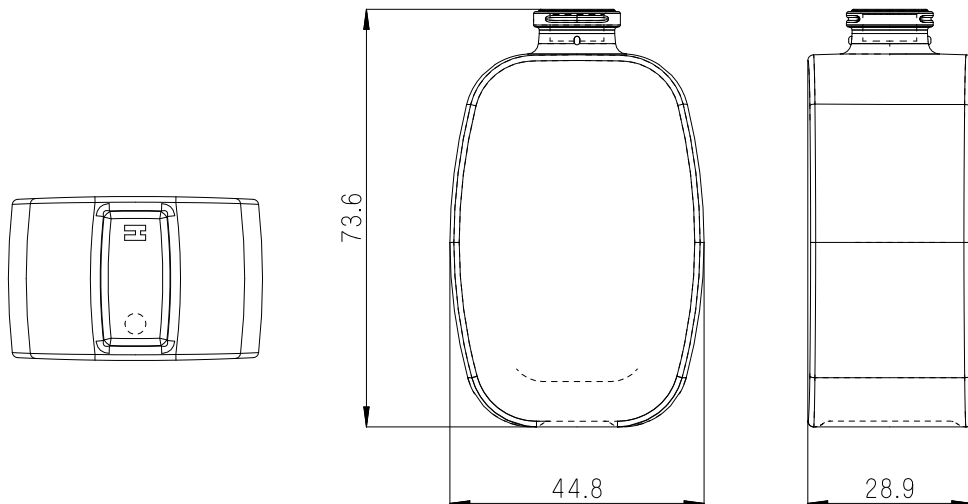
Main features

Colour: **Extra white flint** • Glass base thickness: **Around 13 mm** • **Registered design**

„The technical specifications on this document are not contractual. They are only provided for information.“

Packing (Carton boxes with dividers on pallet 80 x 120)

Number of bottles per carton box	55
Number of carton box per layer	8
Number of layer	10
Number of bottles per pallet	4400
Overall height of the pallet	1,00 m
Pallet weight	670 kg (stackable)



Technical data sheet

Capacity	30 ml
Weight of glass	100 gr
Finish	FEA 15
Brimful capacity	35 ml
Minimum through hole	9,5 mm
Total height	73,6 mm
Body diameter	45 x 29 mm

Main features

Colour: **Extra white flint** • Glass base thickness: **Around 13 mm** • **Registered design**

„The technical specifications on this document are not contractual. They are only provided for information.“

Packing (Carton boxes with dividers on pallet 80 x 120)

Number of bottles per carton box	72
Number of carton box per layer	8
Number of layer	11
Number of bottles per pallet	6336
Overall height of the pallet	0,97 m
Pallet weight	685 kg (stackable)



Callista

Tribute to curves

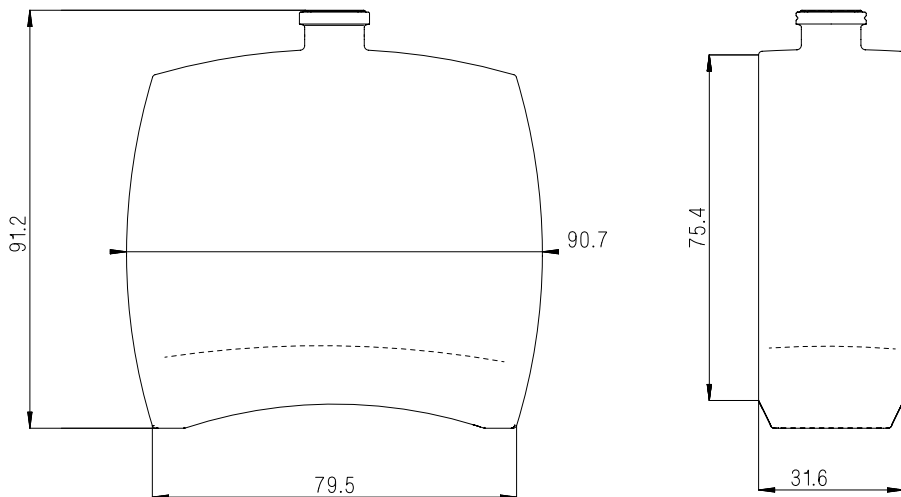
The name CALLISTA comes from Greek origin, and means „the most beautiful“.

The thick base in the shape of „suspended bridge“ enhances the attractive effect of its repeated curves. A model completely in keeping with the times.



HRASTNIK1860

www.hrastnik1860.com



Callista

Technical data sheet

Capacity	100 ml
Weight of glass	220 gr
Finish	FEA 15
Brimful capacity	108 ml
Minimum through hole	9,5 mm
Total height	91,2 mm
Body diameter	90,7 x 31,6 mm

Main features

Colour: **Extra white flint** • Glass base thickness: **Around 15 mm** • **Registered design**

„The technical specifications on this document are not contractual. They are only provided for information.“

Packing (Carton boxes with dividers on pallet 80 x 120)

Number of bottles per carton box	32
Number of carton box per layer	8
Number of layer	10
Number of bottles per pallet	2560
Overall height of the pallet	1,10 m
Pallet weight	630 kg (stackable)



DUORO

Daring. Solid. Mysterious.

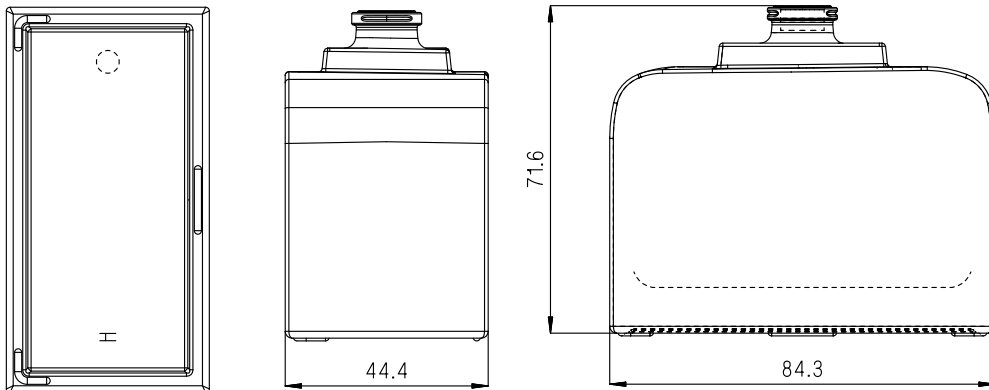
The DUORO bottle has found inspiration in the river, the flow of which also draws a border.

A bottle with a male character but still mysterious like a woman. It has a distinctly flat shape and a rectangular base of clean lines.



HRASTNIK1860

www.hrastnik1860.com



Technical data sheet

Capacity	100 ml
Weight of glass	270 gr
Finish	FEA 15
Brimful capacity	110 ml
Minimum through hole	9,5 mm
Total height	71,6mm
Body diameter	84,3 x 44,4 mm

Main features

Colour: **Extra white flint** • Glass base thickness: **Minimum 10 mm** • **Notch under the bottom for decoration** • **Registered design**

„The technical specifications on this document are not contractual. They are only provided for information.“

Packing (Carton boxes with dividers on pallet 80 x 120)

Number of bottles per carton box	20
Number of carton box per layer	8
Number of layer	12
Number of bottles per pallet	1920
Overall height of the pallet	1,08 m
Pallet weight	585 kg (non stackable)



Fuji

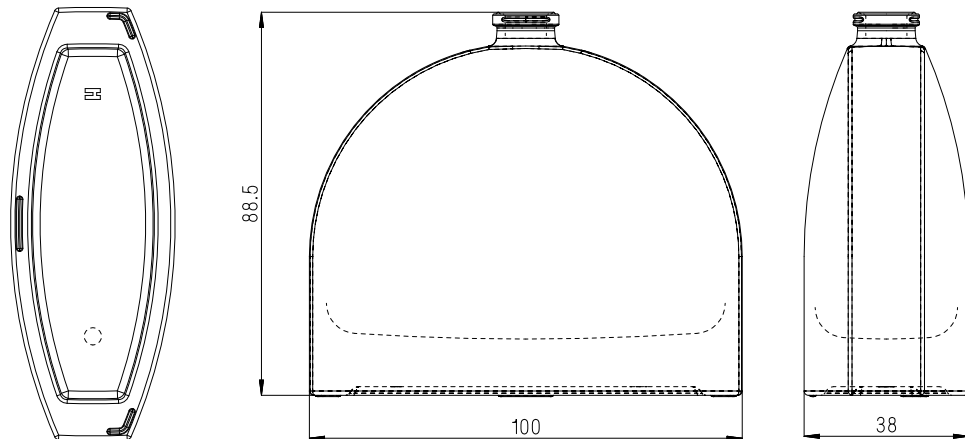
Without equal

Its rounded and harmonious lines like a polished stone make it comfortable to handle. FUJI admirably reflects a feminine spirit and a certain taste for luxury but without pretence or affectation.



HRASTNIK1860

www.hrastnik1860.com



Technical data sheet

Capacity	100 ml
Weight of glass	240 gr
Finish	FEA 15
Brimful capacity	108 ml
Minimum through hole	9,5 mm
Total height	88,5 mm
Body diameter	100 x 38 mm

Main features

Colour: **Extra white flint** • Glass base thickness: **Around 13 mm** • **Registered design**

„The technical specifications on this document are not contractual. They are only provided for information.“

Packing (Carton boxes with dividers on pallet 80 x 120)

Number of bottles per carton box	21
Number of carton box per layer	8
Number of layer	10
Number of bottles per pallet	1680
Overall height of the pallet	1,08 m
Pallet weight	435 kg (stackable)



KENAI

Nothing is as it seems.

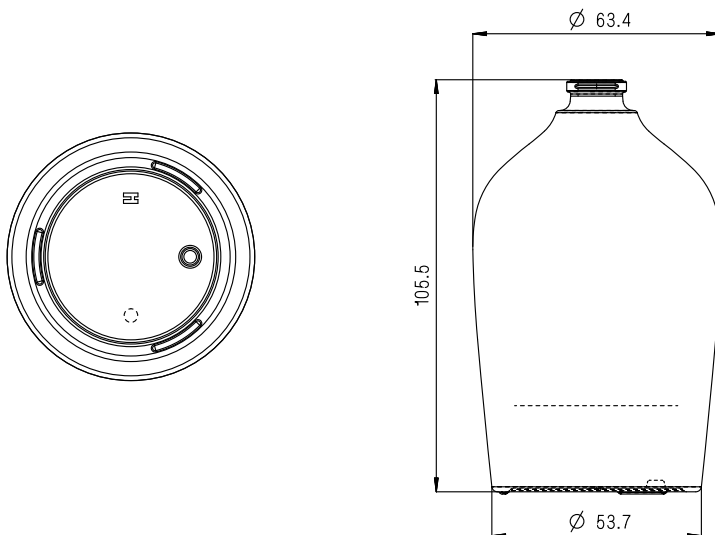
A bottle of soft, flowing lines that rise from a compact base. It resembles a magnificent ice surface and depicts the richness of the natural environment.

A clean round line elevates the content of the bottle to a higher level. Soft on the outside, full of life on the inside - like the KENAI river.



HRASTNIK1860

www.hrastnik1860.com



Technical data sheet

Capacity	100 ml
Weight of glass	330 gr
Finish	FEA 15
Brimful capacity	110 ml
Minimum through hole	9,5 mm
Total height	105,5 mm
Body diameter	63,4 mm

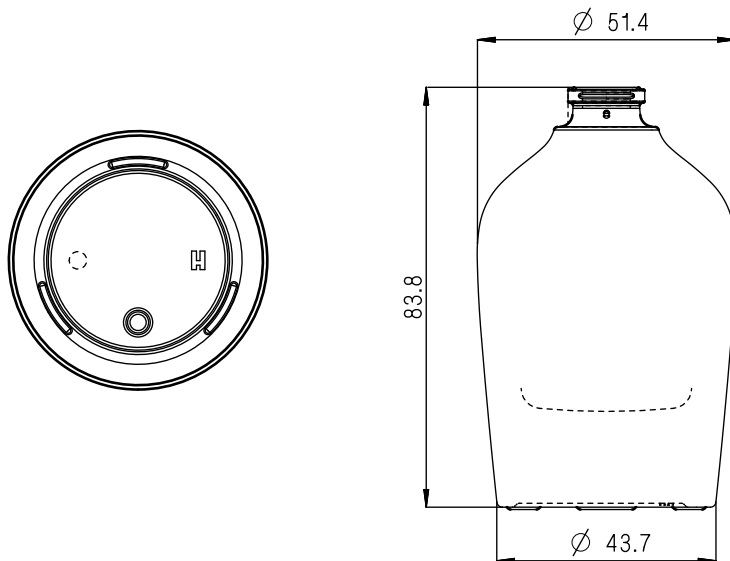
Main features

Colour: **Extra white flint** • Glass base thickness: **Around 24mm** • **Notch under the bottom for decoration** • **Registered design**

„The technical specifications on this document are not contractual. They are only provided for information.“

Packing (Carton boxes with dividers on pallet 80 x 120)

Number of bottles per carton box	20
Number of carton box per layer	8
Number of layer	9
Number of bottles per pallet	1440
Overall height of the pallet	1,13 m
Pallet weight	535 kg (stackable)



Technical data sheet

Capacity	50 ml
Weight of glass	177 gr
Finish	FEA 15
Brimful capacity	55 ml
Minimum through hole	9,5 mm
Total height	83,8 mm
Body diameter	51,4 mm

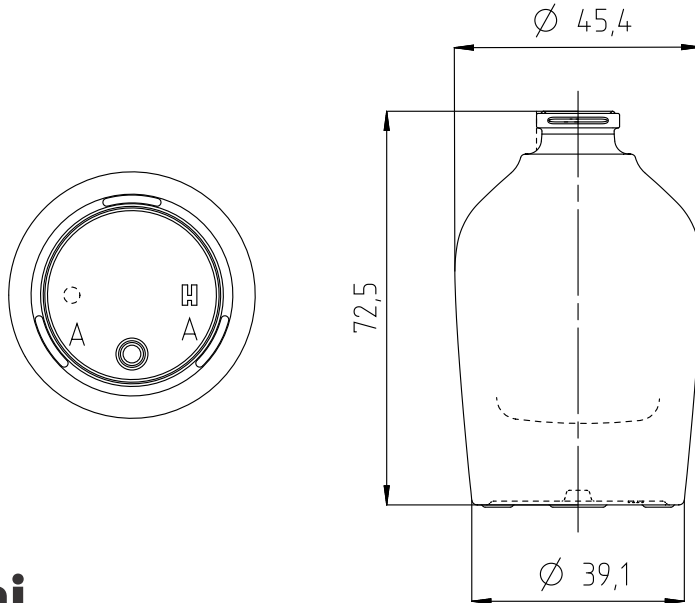
Main features

Colour: **Extra white flint** • Glass base thickness: **Around 19mm** • **Notch under the bottom for decoration** • **Registered design**

„The technical specifications on this document are not contractual. They are only provided for information.“

Packing (Carton boxes with dividers on pallet 80 x 120)

Number of bottles per carton box	35
Number of carton box per layer	8
Number of layer	10
Number of bottles per pallet	2800
Overall height of the pallet	1,02 m
Pallet weight	542 kg (stackable)



Technical data sheet

Capacity	30 ml
Weight of glass	128 gr
Finish	FEA 15
Brimful capacity	35 ml
Minimum through hole	9,5 mm
Total height	72,5 mm
Body diameter	45,4 mm

Main features

Colour: **Extra white flint** • Glass base thickness: **Around 15mm** • **Notch under the bottom for decoration** • **Registered design**

„The technical specifications on this document are not contractual. They are only provided for information.“

Packing (Carton boxes with dividers on pallet 80 x 120)

Number of bottles per carton box	40
Number of carton box per layer	8
Number of layer	11
Number of bottles per pallet	3520
Overall height of the pallet	0,97 m
Pallet weight	490 kg (stackable)



LENA

Sophisticated. Valuable. Original.

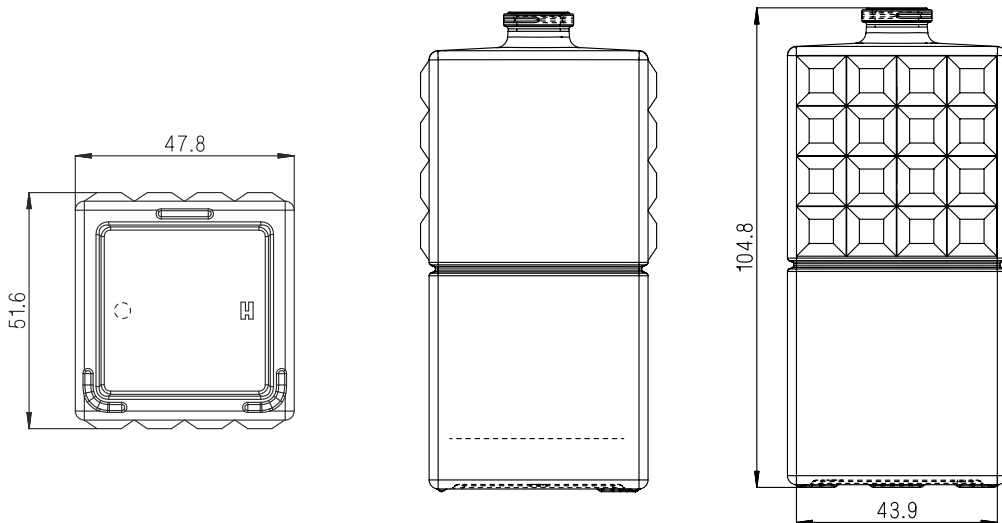
Full of contradictions, like the LENA river. Playfully trickling in the upper reaches, smooth and calm in the lower. It hides mightiness intertwined with the tradition of the Russian culture.

The cool lower part of the bottle seems like the calmness caught in an icy landscape, while the upper part represents the active and lively Russian tradition, as well as the waves of this mighty river.



HRASTNIK1860

www.hrastnik1860.com




Lena

Technical data sheet

Capacity	100 ml
Weight of glass	280 gr
Finish	FEA 15
Brimful capacity	110 ml
Minimum through hole	9,5 mm
Total height	104,8 mm
Body diameter	56,6 x 47,8 mm

Main features

Colour: **Extra white flint** • Glass base thickness: **Around 11 mm** • **Notch under the bottom for decoration** • **Registered design**

„The technical specifications on this document are not contractual. They are only provided for information.“

Packing (Carton boxes with dividers on pallet 80 x 120)

Number of bottles per carton box	35
Number of carton box per layer	8
Number of layer	8
Number of bottles per pallet	2240
Overall height of the pallet	1,00 m
Pallet weight	675 kg (non stackable)



PARIS

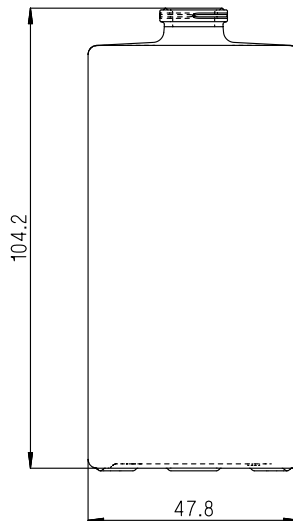
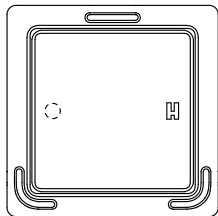
Always a good choice

They say an artist has no home except in Paris. The beauty of the Paris bottle is shown in its elegant lines that represent calmness and home. Contrary to its composure the bottle design gives you charming possibilities that will blow your mind just like a night in Paris.



HRASTNIK1860

www.hrastnik1860.com




Paris

Technical data sheet

Capacity	100 ml
Weight of glass	265 gr
Finish	FEA 15
Brimful capacity	110 ml
Minimum through hole	9,5 mm
Total height	104,2 mm
Body diameter	47,8 mm

Main features

Colour: **Extra white flint** • Glass base thickness: **Around 22mm** • **Notch under the bottom for decoration** • **Registered design**

„The technical specifications on this document are not contractual. They are only provided for information.“

Packing (Carton boxes with dividers on pallet 80 x 120)

Number of bottles per carton box	35
Number of carton box per layer	8
Number of layer	8
Number of bottles per pallet	2240
Overall height of the pallet	1,00 m
Pallet weight	635 kg (stackable)



SULTANE

Inspired by nature

The SULTANE name symbolizes precious beauty rituals.

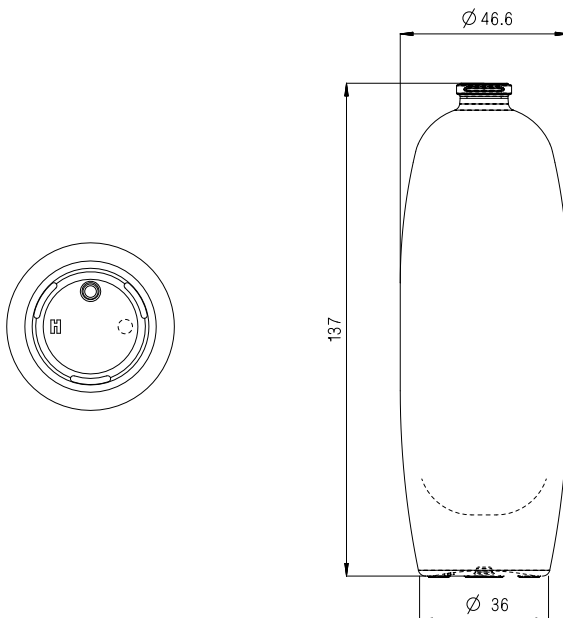
The shape of SULTANE 2 bottle is inspired by nature, its extremely pure design mirrors a water droplet.

It's all the matter of finding the right balance!



HRASTNIK1860

www.hrastnik1860.com



Sultane

Technical data sheet

Capacity	100 ml
Weight of glass	200 gr
Finish	FEA 15
Brimful capacity	108 ml
Minimum through hole	9,5 mm
Total height	137 mm
Body diameter	46,6 mm

Main features

Colour: **Extra white flint** • Glass base thickness: **Around 17 mm** • **Notch under the bottom for decoration** • **Registered design**

„The technical specifications on this document are not contractual. They are only provided for information.“

Packing (Carton boxes with dividers on pallet 80 x 120)

Number of bottles per carton box	35
Number of carton box per layer	8
Number of layer	7
Number of bottles per pallet	1960
Overall height of the pallet	1,14 m
Pallet weight	440 kg (stackable)



TARA

As mysterious as the deepest
canyon.

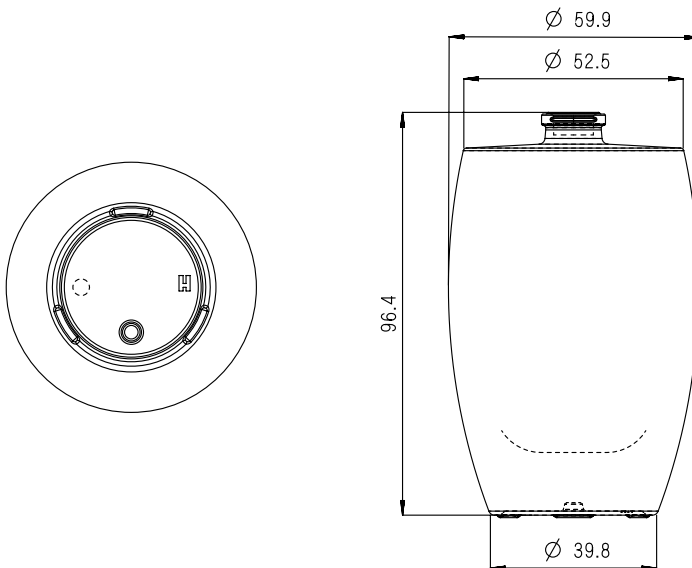
As playful as hidden gorges and as
mighty as the bridges over the
TARA river. A natural pearl hiding
purity, passion and a little bit of
playful naughtiness.

With a gentle round base, it
promises accessibility and invites
us to hold it in our hand.



HRASTNIK1860

www.hrastnik1860.com



Technical data sheet

Capacity	100 ml
Weight of glass	250 gr
Finish	FEA 15
Brimful capacity	110 ml
Minimum through hole	9,5 mm
Total height	96,4 mm
Body diameter	59,9 mm

Main features

Colour: **Extra white flint** • Glass base thickness: **Around 15mm** • **Notch under the bottom for decoration** • **Registered design**

„The technical specifications on this document are not contractual. They are only provided for information.“

Packing (Carton boxes with dividers on pallet 80 x 120)

Number of bottles per carton box	24
Number of carton box per layer	8
Number of layer	10
Number of bottles per pallet	1920
Overall height of the pallet	1,16 m
Pallet weight	535 kg (non stackable)



Tokyo

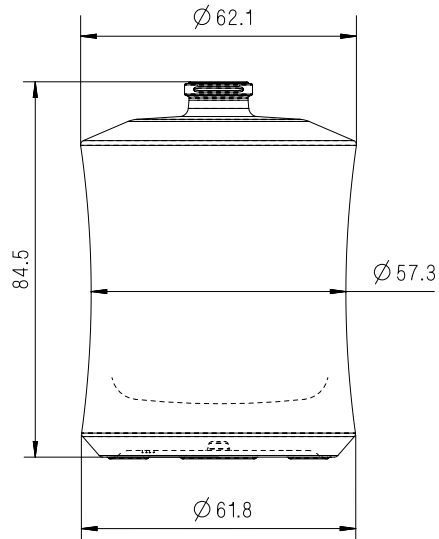
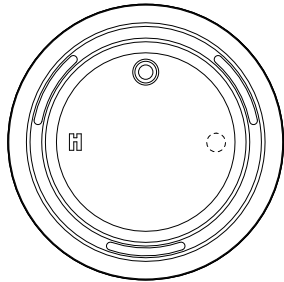
Influenced by Japanese design

A subtle mix of traditional Japanese design and more modern trends, here is the visual appeal of TOKYO bottle. With its refined elegance, the concave shape of its body. TOKYO is both singular and universal beauty.



HRASTNIK1860

www.hrastnik1860.com



Tokyo

Technical data sheet

Capacity	100 ml
Weight of glass	222 gr
Finish	FEA 15
Brimful capacity	108 ml
Minimum through hole	9,5 mm
Total height	84,5 mm
Body diameter	62,1 mm

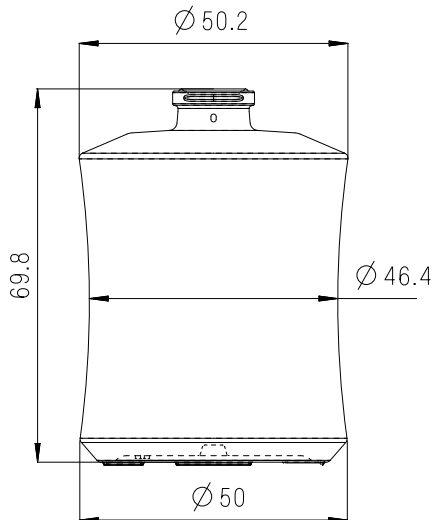
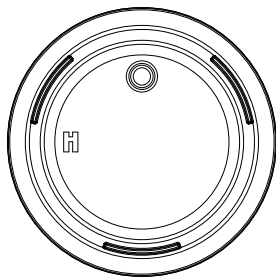
Main features

Colour: **Extra white flint** • Glass base thickness: **Around 12 mm** • **Notch under the bottom for decoration** • **Registered design**

„The technical specifications on this document are not contractual. They are only provided for information.“

Packing (Carton boxes with dividers on pallet 80 x 120)

Number of bottles per carton box	24
Number of carton box per layer	8
Number of layer	11
Number of bottles per pallet	2112
Overall height of the pallet	1,13 m
Pallet weight	530 kg (stackable)



Technical data sheet

Capacity	50ml
Weight of glass	135gr
Finish	FEA 15
Brimful capacity	55 ml
Minimum through hole	9,5 mm
Total height	69,8 mm
Body diameter	50,2 mm

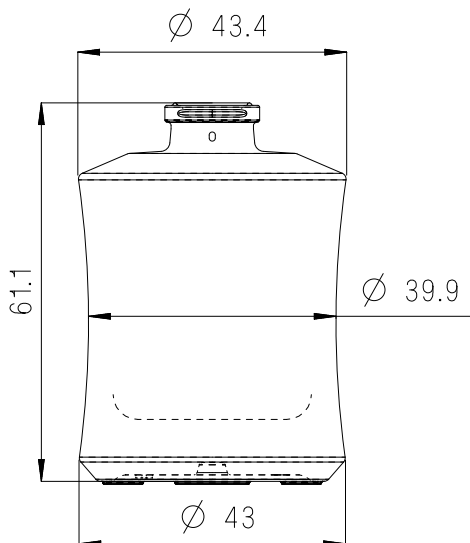
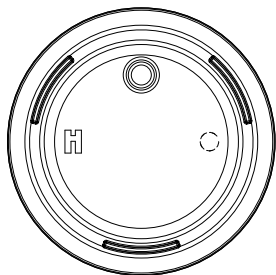
Main features

Colour: **Extra white flint** • Glass base thickness: **Around 12 mm** • **Notch under the bottom for decoration** • **Registered design**

„The technical specifications on this document are not contractual. They are only provided for information.“

Packing (Carton boxes with dividers on pallet 80 x 120)

Number of bottles per carton box	35
Number of carton box per layer	8
Number of layer	11
Number of bottles per pallet	3080
Overall height of the pallet	0,95 m
Pallet weight	641 kg (stackable)



Tokyo

Technical data sheet

Capacity	30ml
Weight of glass	90gr
Finish	FEA 15
Brimful capacity	33 ml
Minimum through hole	9,5 mm
Total height	61,1mm
Body diameter	43,4 mm

Main features

Colour: **Extra white flint** • Glass base thickness: **Around 12 mm** • **Notch under the bottom for decoration** • **Registered design**

„The technical specifications on this document are not contractual. They are only provided for information.“

Packing (Carton boxes with dividers on pallet 80 x 120)

Number of bottles per carton box	48
Number of carton box per layer	8
Number of layer	13
Number of bottles per pallet	4992
Overall height of the pallet	1,00 m
Pallet weight	500 kg (stackable)



TORNE

Safety, firmness, stability.

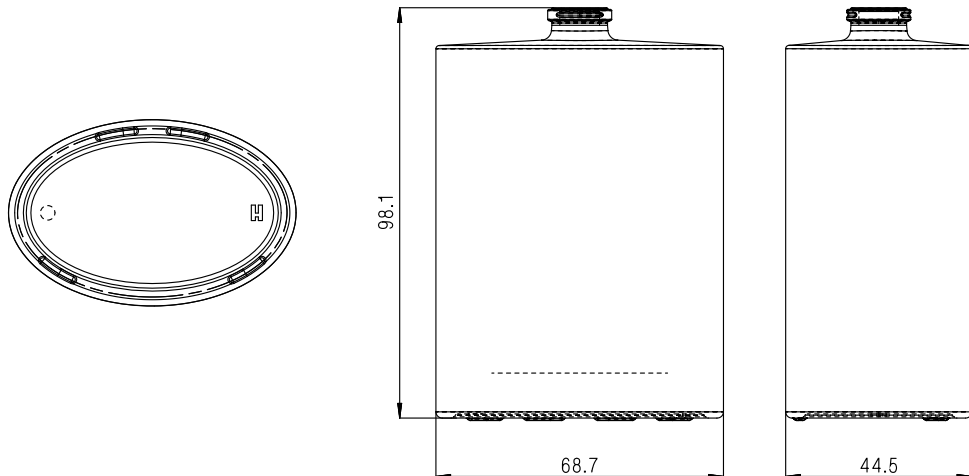
The tradition of Swedish design is reflected in the cool, clean shape of this elliptical bottle, which exudes courage and stability. A bottle of a solid material and soft contents captivates everyone.

The TORNE bottle is still waiting to be discovered, and for your personal touch.



HRASTNIK1860

www.hrastnik1860.com



Torne

Technical data sheet

Capacity	100 ml
Weight of glass	260 gr
Finish	FEA 15
Brimful capacity	110 ml
Minimum through hole	9,5 mm
Total height	98,1 mm
Body diameter	68,7 x 44,5 mm

Main features

Colour: **Extra white flint** • Glass base thickness: **Around 11 mm** • **Notch under the bottom for decoration** • **Registered design**

„The technical specifications on this document are not contractual. They are only provided for information.“

Packing (Carton boxes with dividers on pallet 80 x 120)

Number of bottles per carton box	25
Number of carton box per layer	8
Number of layer	9
Number of bottles per pallet	1800
Overall height of the pallet	1,06 m
Pallet weight	535 kg (non stackable)