

# DIABOLO

BOTTLE OF THE MONTH



**HRASTNIK1860**



## DIABOLO

### Fun and generous

Fun by nature, Diabolo is an innovative bottle at the service of fashionable spirits. The compact and generous shape, the slightly curved body, and the simplicity of its rounded harmonious lines contribute to the bottle's softness and originality.

I WOULD LIKE SPECIFICATIONS OR A SAMPLE.

## MAIN FEATURES

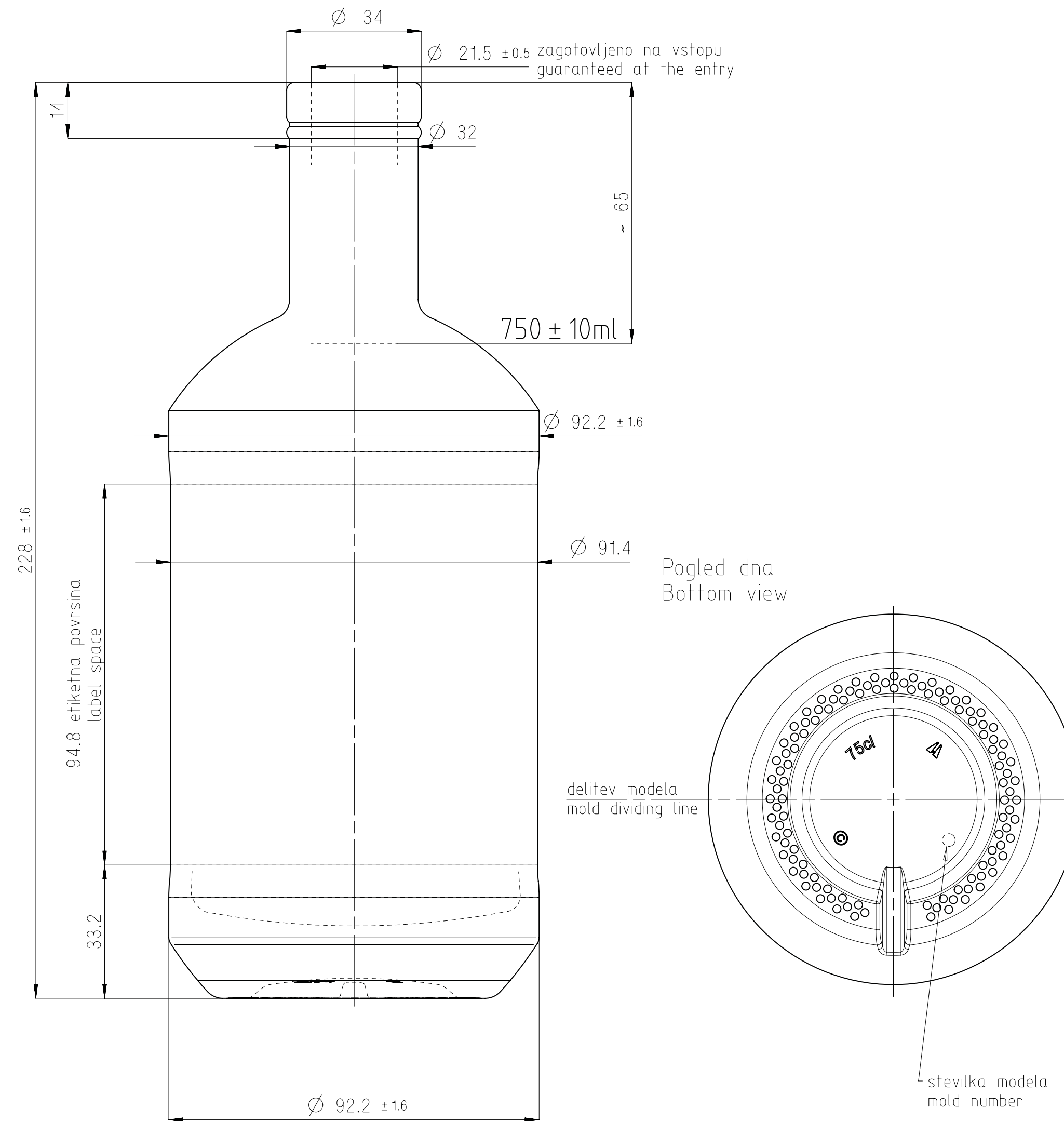
---

Volume:	750 ml	700 ml	500 ml	50 ml
Weight:	750 g	570 g	600 g	100 g
Finish:	OMN, GPI	OMN, GPI	F14, GPI	BVP
Quality standards:	Super premium	Super premium	Super premium	Super premium



**HRASTNIK1860**

# TECHNICAL SHEET



**HRASTNIK1860**



*Premium botanical gin*



# DIABOLO

BOTANICAL GIN

*22 selected botanicals*



# DECORATION POSSIBILITIES





PISTACCHIO DI SICILIA

DIABOLO DISTILLERY  
SINCE 1992

*Creamy Luxury*

ALL NATURAL



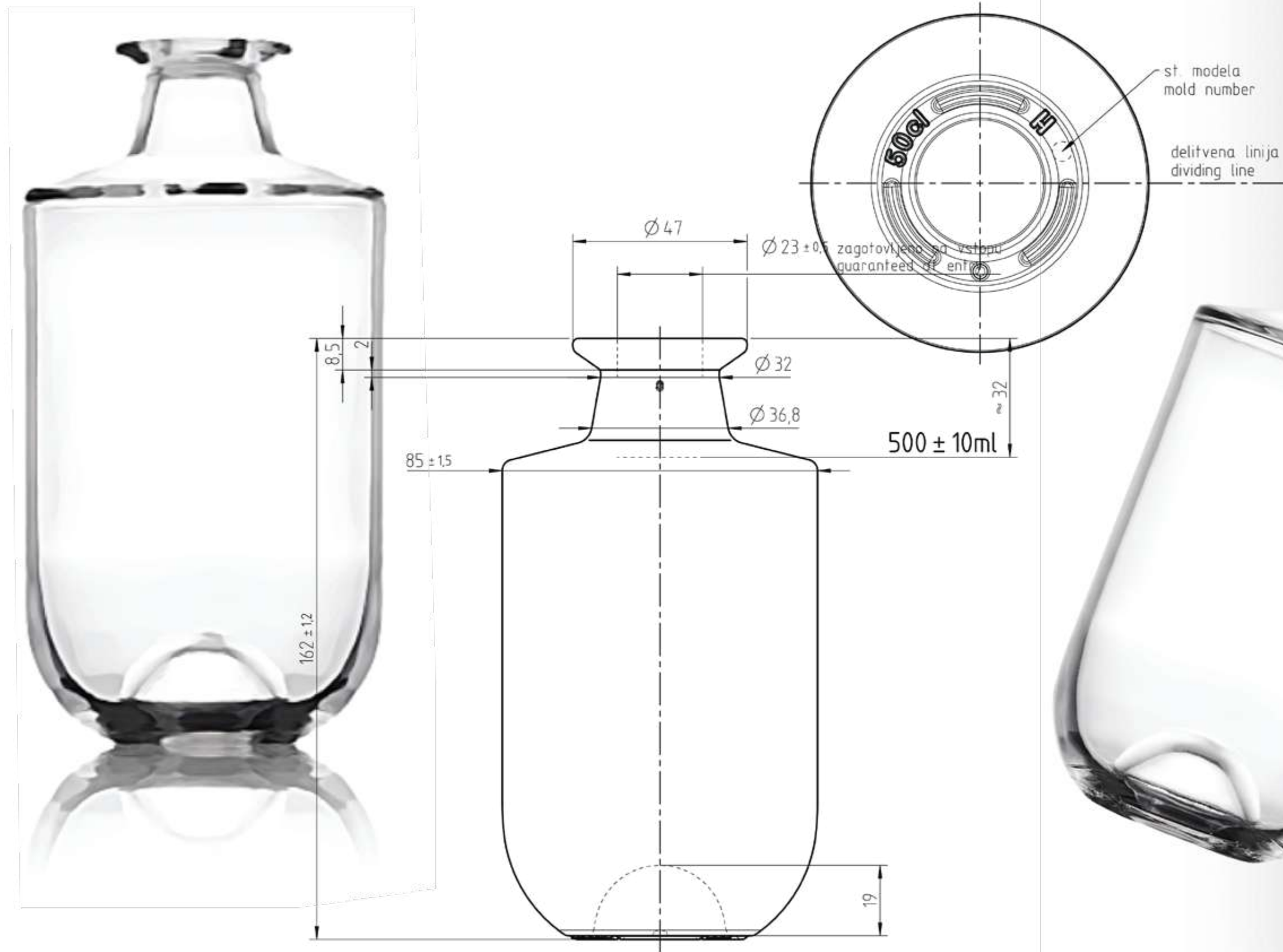
PRODUCT OF SICILY

PISTACCHIO DI SICILIA  
CREAM LIQUEUR

IT IS NOT A BOTTLE.  
IT IS AN ADVENTURE.

HRASTNIK1860  
DESIGN STUDIO

Embracing the  
glass shapes  
creatively.



GET YOUR NEW CONCEPT AND DESIGN HERE

# ARE YOUR CUSTOMERS INTERACTIVE?

Engage with end customers and improve user experience with e.bottle smart solutions.

## e.bottle

smart solutions

Your e.bottle starts here

Click and find out more about e.bottle smart solutions.

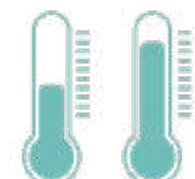
### SMART FUNCTIONALITIES



LIQUID LEVEL



FUNCTIONAL & INTERACTIVE LIGHTNING



TEMPERATURE



BRAND PROTECTION



SUPPLY TRACKING



CONNECT WITH CUSTOMERS



HAVEN'T FOUND WHAT  
YOU ARE LOOKING FOR?

CHECK OUR FULL RANGE OF COLLECTION BOTTLES

