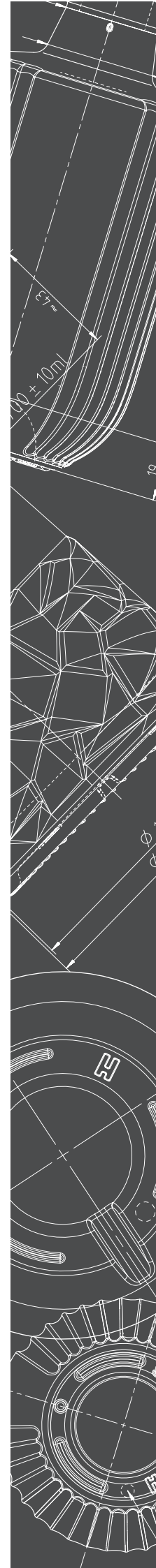


APOLLO



HRASTNIK1860

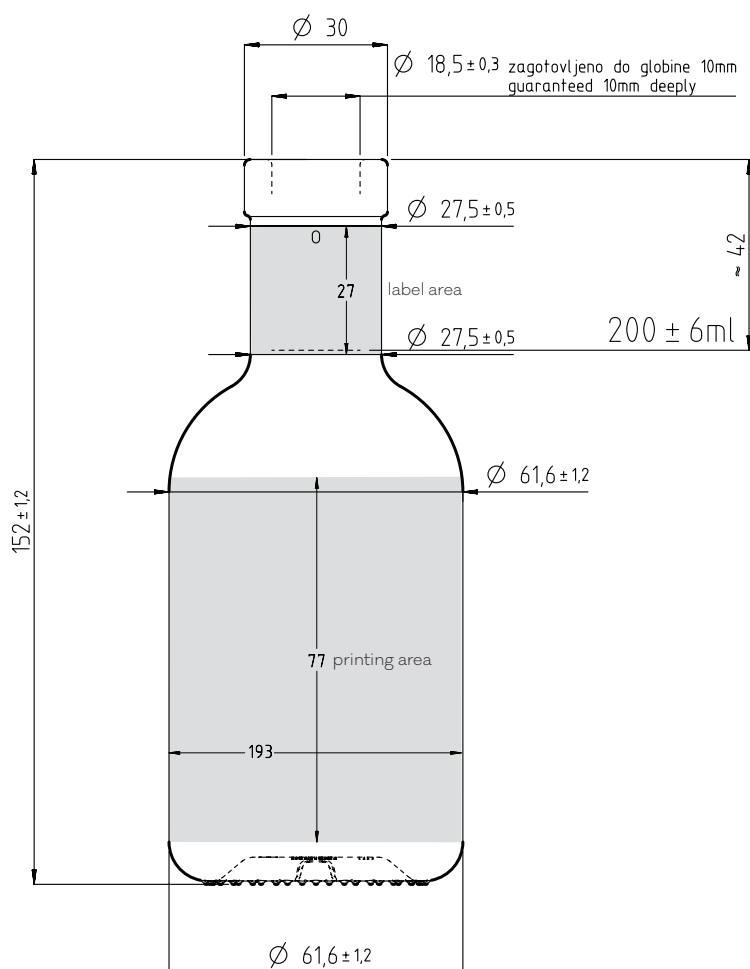
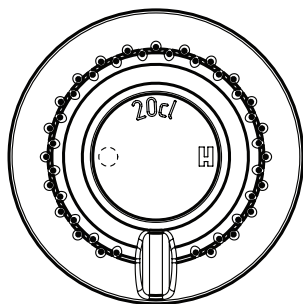


HRASTNIK1860

Designed for Steklarna Hrastnik. All rights reserved.

APOLLO 200ml F12

Drawing No.	7635006	Brimful capacity	212 ± 6 ml
Volume	200 ml / 6,76 oz	Pieces on pallet	270x6=1620
Weight	260 g / 0,57 lbs	Weight of pallet	465 kg
Finish	F12	Height of pallet	1,1 m



HRASTNIK1860

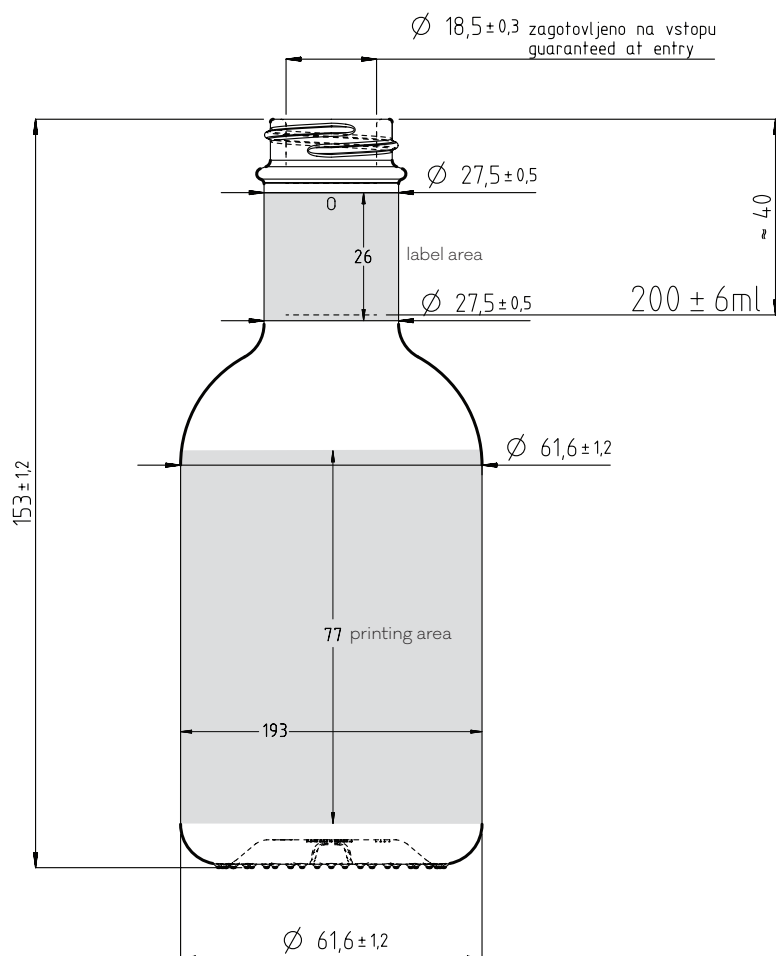
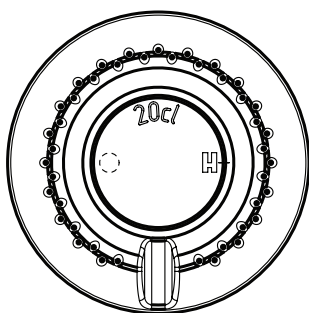
STEKLARNA HRASTNIK d.o.o. / Cesta 1. maja 14 / 1430 Hrastnik / SLOVENIA
www.hrastnik1860.com

HRASTNIK1860

Designed for Steklarna Hrastnik. All rights reserved.

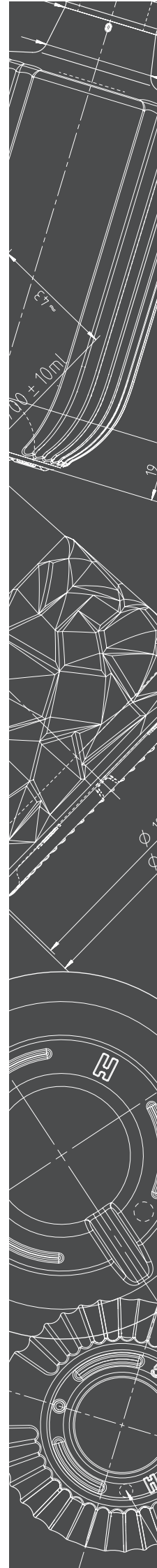
APOLLO 200ml GPI 28/400

Drawing No.	7635008	Brimful capacity	212 ± 6 ml
Volume	200 ml / 6,76 oz	Pieces on pallet	270x6=1620
Weight	260 g / 0,57 lbs	Weight of pallet	465 kg
Finish	GPI 28/400	Height of pallet	1,1 m



HRASTNIK1860

STEKLARNA HRASTNIK d.o.o. / Cesta 1. maja 14 / 1430 Hrastnik / SLOVENIA
www.hrastnik1860.com

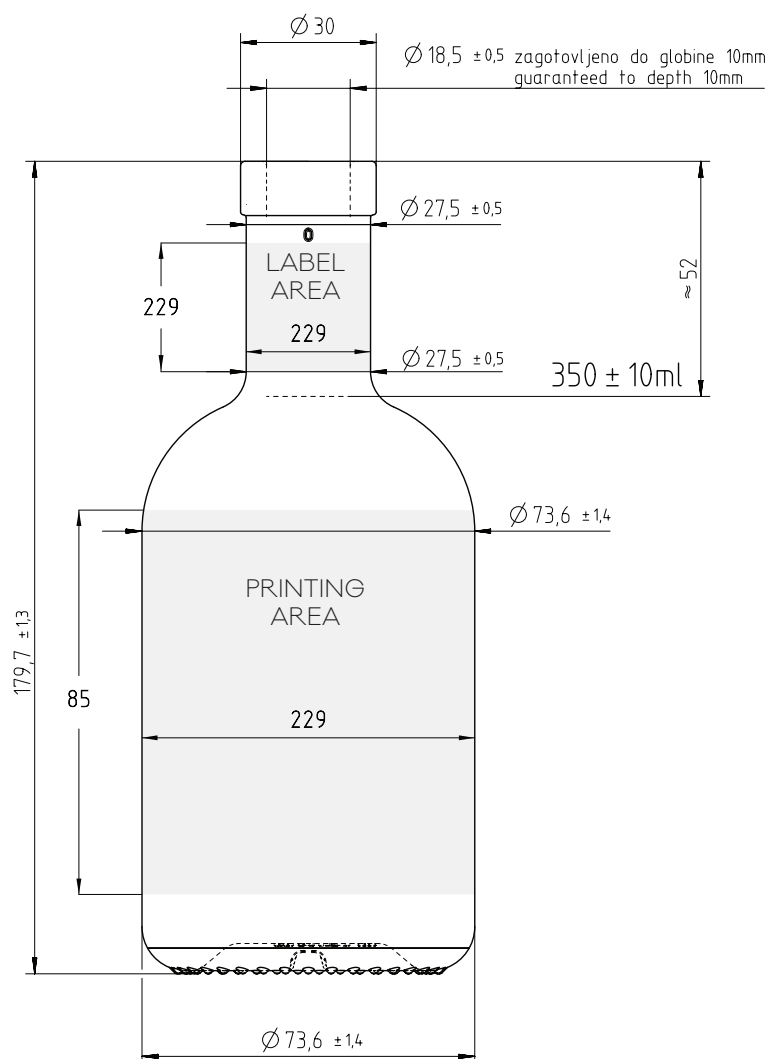
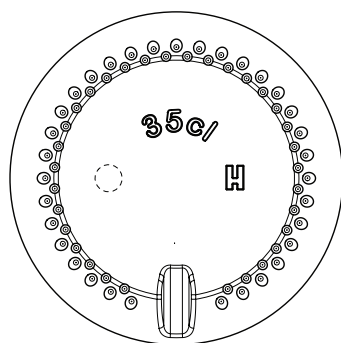


HRASTNIK1860

Designed for Steklarna Hrastnik. All rights reserved.

APOLLO 350 ml F

Drawing No.	7635010	Brimful capacity	364 ± 7 ml
Volume	350 ml / 11,83 oz	Pieces on pallet	180x6=1080
Weight	400 g / 0,88 lbs	Weight of pallet	475 kg
Finish	F	Height of pallet	1,25 m



HRASTNIK1860

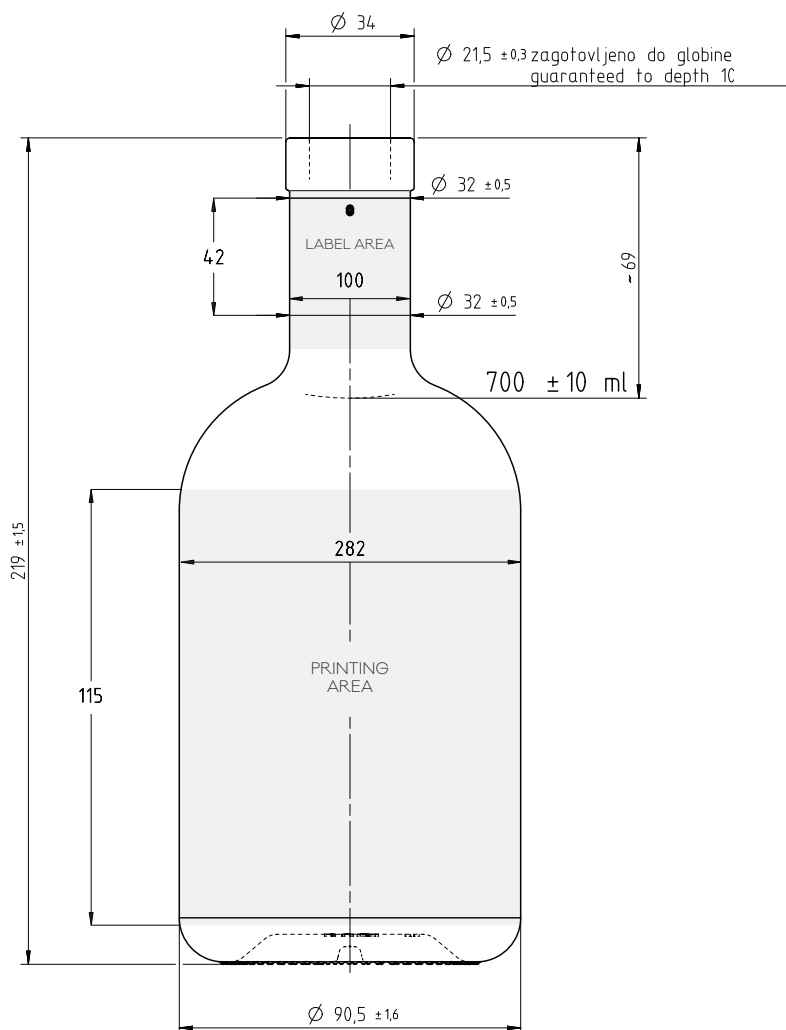
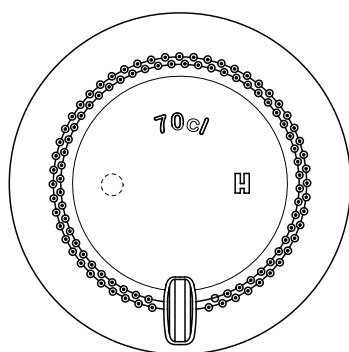
STEKLARNA HRASTNIK d.o.o. / Cesta 1. maja 14 / 1430 Hrastnik / SLOVENIA
www.hrastnik1860.com

HRASTNIK1860

Designed for Steklarna Hrastnik. All rights reserved.

APOLLO 700 ml F14

Drawing No.	7635001	Brimful capacity	730 ± 10 ml
Volume	700 ml / 23,70 oz	Pieces on pallet	120x9=1080
Weight	575 g / 1,27 lbs	Weight of pallet	688 kg
Finish	F14	Height of pallet	2,15 m



HRASTNIK1860

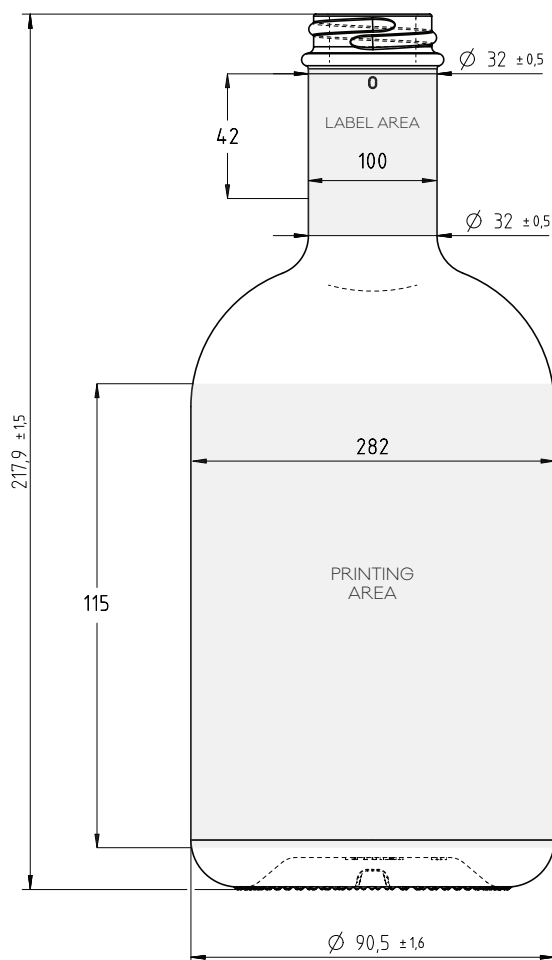
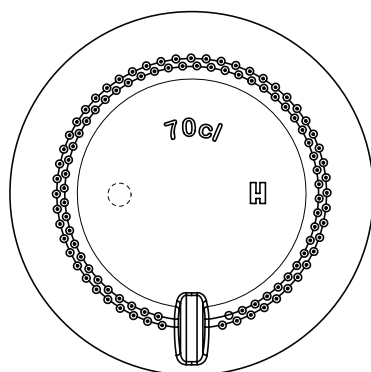
STEKLARNA HRASTNIK d.o.o. / Cesta 1. maja 14 / 1430 Hrastnik / SLOVENIA
www.hrastnik1860.com

HRASTNIK1860

Designed for Steklarna Hrastnik. All rights reserved.

APOLLO 700 ml GPI

Drawing No.	7635000	Brimful capacity	730 ± 10 ml
Volume	700 ml / 23,70 oz	Pieces on pallet	120x9=1080
Weight	570 g / 1,26 lbs	Weight of pallet	688 kg
Finish	GPI 400-33	Height of pallet	2,15 m



HRASTNIK1860

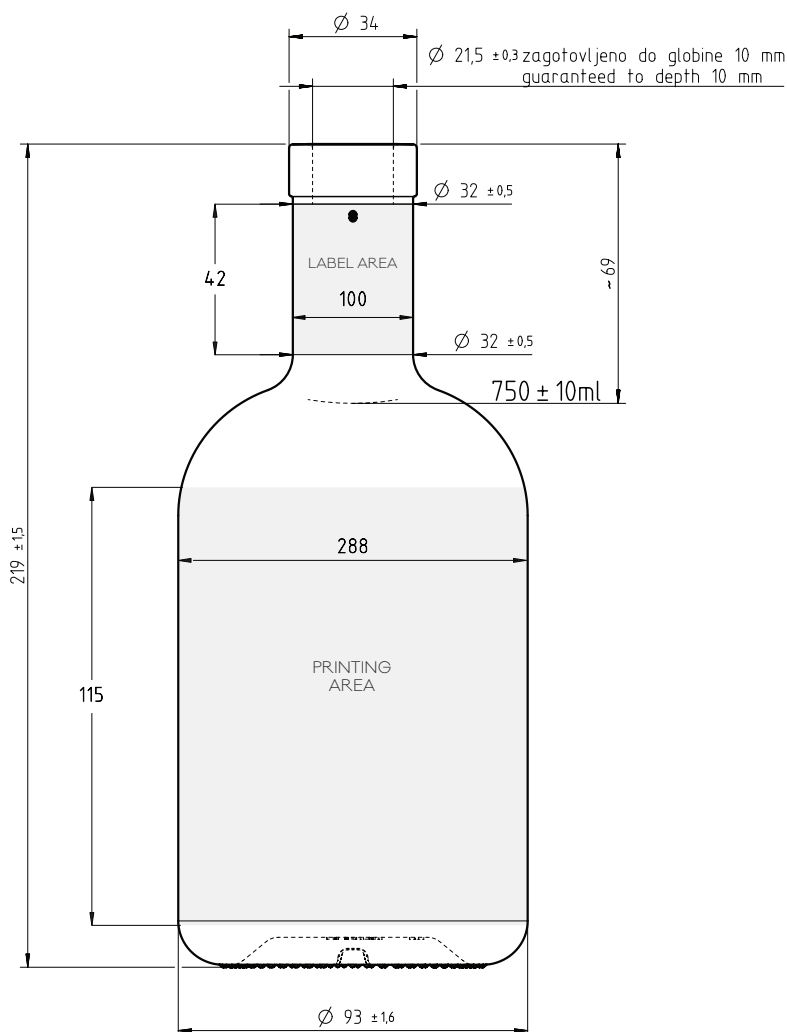
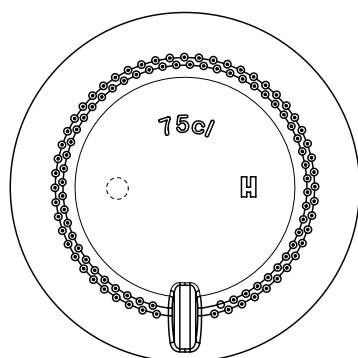
STEKLARNA HRASTNIK d.o.o. / Cesta 1. maja 14 / 1430 Hrastnik / SLOVENIA
www.hrastnik1860.com

HRASTNIK1860

Designed for Steklarna Hrastnik. All rights reserved.

APOLLO 750 ml F14

Drawing No.	7635003	Brimful capacity	780 ± 10 ml
Volume	750 ml / 25,4 oz	Pieces on pallet	120x9=1080
Weight	575 g / 1,27 lbs	Weight of pallet	688 kg
Finish	F14	Height of pallet	2,17 m



HRASTNIK1860

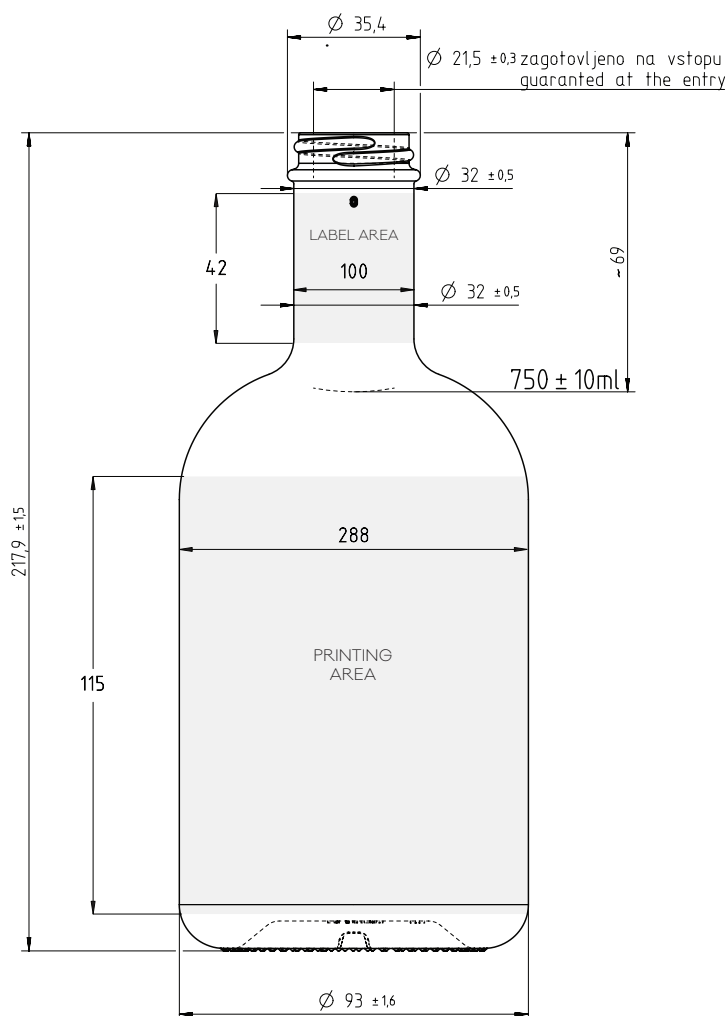
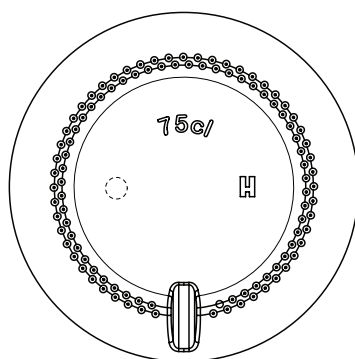
STEKLARNA HRASTNIK d.o.o. / Cesta 1. maja 14 / 1430 Hrastnik / SLOVENIA
www.hrastnik1860.com

HRASTNIK1860

Designed for Steklarna Hrastnik. All rights reserved.

APOLLO 750 ml GPI

Drawing No.	7635002	Brimful capacity	780 ± 10 ml
Volume	750 ml / 25,4 oz	Pieces on pallet	120x9=1080
Weight	570 g / 1,26 lbs	Weight of pallet	688 kg
Finish	GPI 400-33	Height of pallet	2,15 m



HRASTNIK1860

STEKLARNA HRASTNIK d.o.o. / Cesta 1. maja 14 / 1430 Hrastnik / SLOVENIA
www.hrastnik1860.com